



Introducing... **LED LIGHT FIXTURES** FOR COOLER/FREEZER APPLICATIONS

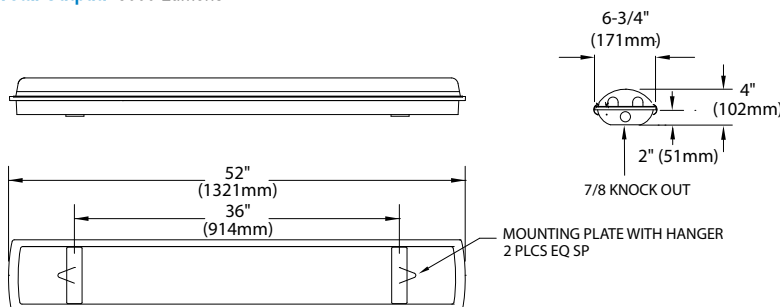
Refrigeration Hardware



MODEL NO.	LED LIGHT-COMplete
LED48X6215W	48" (1219mm) LED LIGHT, 2-15W LAMPS
MODEL NO.	LED LAMP ONLY
LED-200009	48" (1219mm) LED LAMP ONLY, 15W

- Low profile design is ideal for walk-in coolers & freezers
- Resilient, one-piece silicone gasket rated IP-65 for damp & wet locations
- Superior highly-polished aluminum reflector improves light output
- Corrosion-free, high impact polycarbonate housing
- Clear, high impact polycarbonate lens with ribs for max. light dispersion
- Supplied with NEC-approved luminaire disconnects
- Operating temperature range from -40°F to 104°F (-40°C to 40°C)
- Provided with stainless steel mounting hardware and European Type PG-16 conduit connector
- Bulb life rated 50,000 + hours
- 5 year limited warranty on housing
- 1 year limited warranty on LED lamps

Lamp: (2 each) 120-277 VAC, 50/60 Hz, 15W, 5500K color temp.
Total Output: 3000 Lumens



LED LAMP

- **Reliable...** fixtures utilize long-lasting, Energy Efficient LED lamps
- **Saves Energy...** LED lamps draw less wattage, saving you 50-80% over standard fluorescent and incandescent fixtures with similar light output
- **Reduces Operating Expenses...** less energy consumption means lower electrical bills, longer bulb life means lower maintenance and replacement costs and reduced incidences of unsightly bulb outages
- **Convenient...** Instant On - no ballast or starter to warm up in cold environments, eliminates flickering and buzzing associated with fluorescent fixtures
- **Superior Light Quality...** brilliant, focused light output at the work surface surpasses that of conventional fluorescent and incandescent fixtures
- **Environmentally Friendly...** lowers energy consumption, reduces landfill waste and contains NO harmful mercury
- **Eligible for LEED® Credit...** on Green building projects

